

Model: Kir-C Fax Option		Date: 31-May-01	No.: MB404001
Modified Article: Parts Catalog Correction		Prepared by: K. Miura	
From: Technical Services Dept., GTS Division			
Reason for Modification:	<input checked="" type="checkbox"/> Parts catalog correction	<input type="checkbox"/> Vendor change	<input type="checkbox"/> To meet standards ()
	<input type="checkbox"/> To facilitate assembly	<input type="checkbox"/> To improve reliability	
	<input type="checkbox"/> Part standardization	<input type="checkbox"/> Other	

Please correct your Parts Catalog as follows:

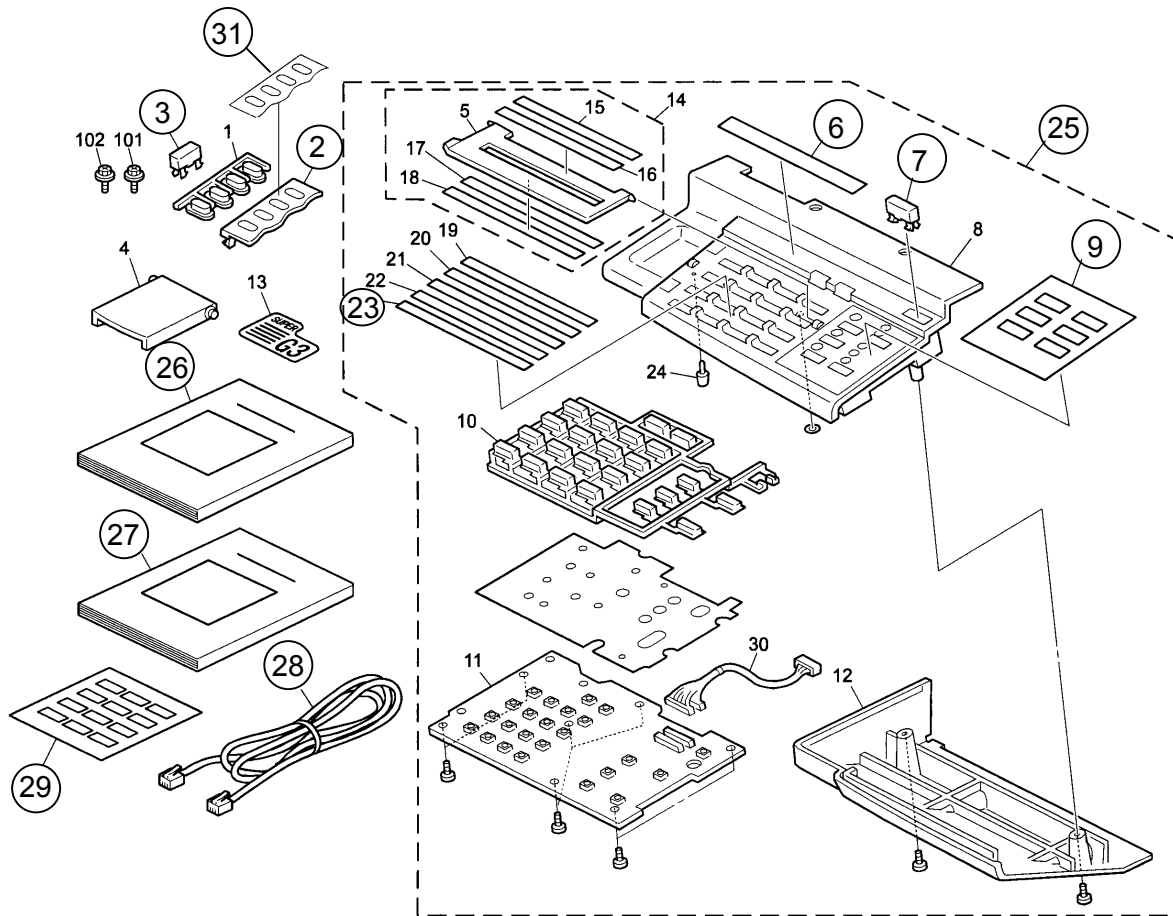
Page 3

- Description Changes -

Part number	Old description	New description	Q'ty	Index	Note
B4041482	Switch Cover (EU)	Switch Cover (EU/CHN/TWN)	1	2	
B4041483	Copy Key (EU)	Copy Key (EU/CHN/TWN)	1	3	
B4041455	Sheet Fax	Sheet Fax (NA/Asia)	1	6	
B4041480	Fax Key (EU)	Fax Key (EU/CHN/TWN)	1	7	
B4041456	Sheet Function	Sheet Function (NA/Asia)	1	9	
B4041467	Decal Dial Lower	Decal Dial Lower (NA/Asia)	1	23	
B4041422	Operation Panel (EU)	Operation Panel (EU/CHN/TWN)	1	25	
H5235350	Telephone Cable	Telephone Cable (NA)	1	28	
B4041476	User Function Key Decal	User Function Key Decal (NA)	1	29	

- Additions -

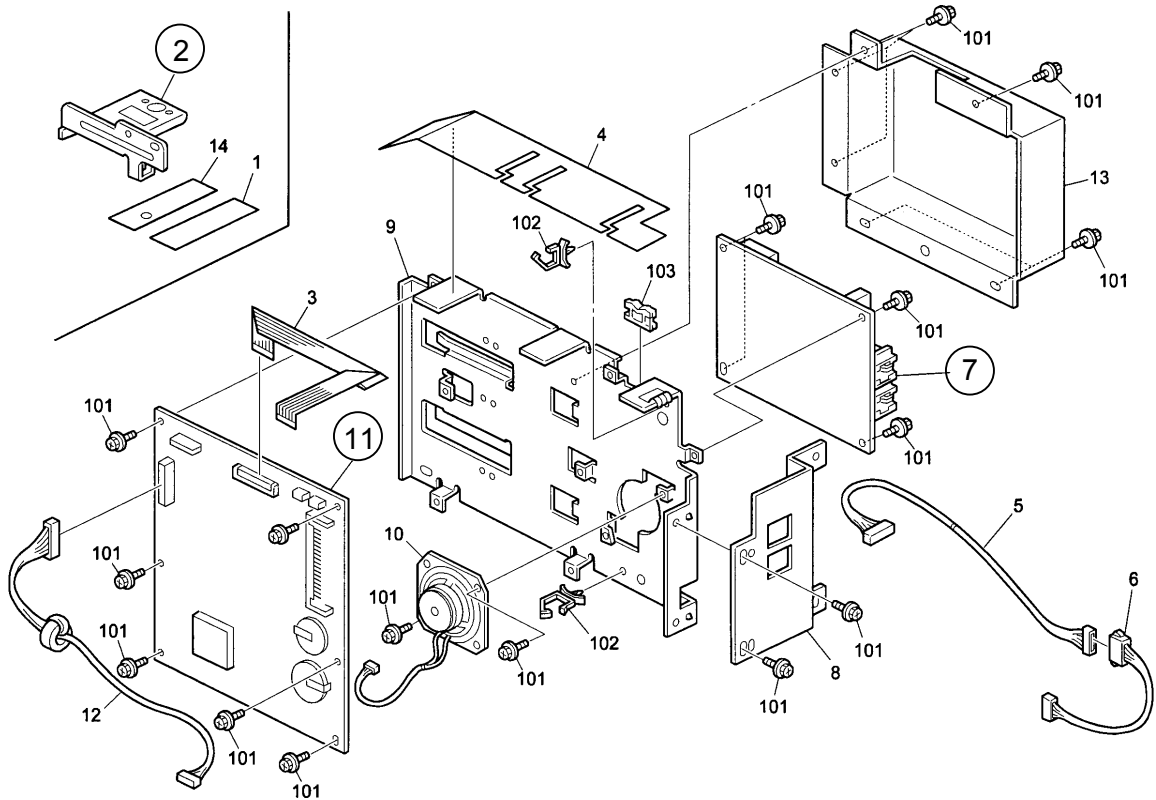
Part number	Description	Q'ty	Index	Note
B4048606	Operation Manual (CHN)	1	26	
B4048609	Operation Manual (TWN)	1	26	
B4048656	Operating Instructions – Advanced (CHN)	1	27	
B4048659	Operating Instructions – Advanced (TWN)	1	27	
B4041487	User Function Key Decal (CHN)	1	29	
B4041489	User Function Key Decal (TWN)	1	29	
B4041488	Function Sheet (CHN)	1	31	
B4041486	Function Sheet (TWN)	1	31	



Model: Kir-C Fax Option	Date: 31-May-01	No.: MB404001
-------------------------	-----------------	---------------

Page 5
- Description Changes -

Part number	Old description	New description	Q'ty	Index	Note
B4045821	Handset Bracket	Handset Bracket (NA)	1	2	
B4045184	NCU Board (EU)	NCU Board (Except for NA)	1	7	
B4045166	FCU Board (Asia)	FCU Board (Asia/CHN/TWN)	1	11	



Page 8

- Table Corrections -

- Delete -

SWITCH

SYMBOL No.	INDEX No.
SW1	108

- Add -

CAPACITOR

SYMBOL No.	INDEX No.
C168	220
C169	220

RESISTOR

SYMBOL No.	INDEX No.
R150	176
R151	174
R152	166
R153	166
R155	174
R239	166
R240	166
R241	166

RN

SYMBOL No.	INDEX No.
RN20	139
RN21	139
RN22	139
RN23	139
RN24	139
RN25	139
RN26	139
RN27	139
RN28	139

Model: Kir-C Fax Option	Date: 31-May-01	No.: MB404001
-------------------------	-----------------	---------------

Page 9

- Description Change -

Part number	Old description	New description	Q'ty	Index	Note
B4045166	FCU Board (Asia)	FCU Board (Asia/CHN/TWN)	1	*	

- Deletion -

Part number	Description	Q'ty	Index	Note
12042373	Key Bord Switch – SKQDPA		108	

Page 11

- Part Number Change -

Old part number	New part number	Description	Q'ty	Index	Note
19020055	19020060	SRAM – 1M X8 70NS G15		229	

Page 13

- Deletion -

Part number	Description	Q'ty	Index	Note
B4045184	NCU Board (EU)	1	*	

-Addition -

Part number	Description	Q'ty	Index	Note
B4045772	Transformer 14YM5E	1	1	

Page 15

- Title Correction -

Old: 5. NCU Board EU (B404)

New: 5. NCU Board - Except for NA (B404)

Page 16

- Title Correction -

Old: 5. NCU Board EU (B404)

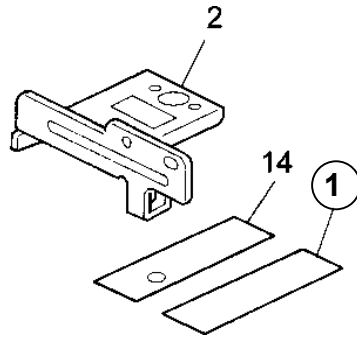
New: 5. NCU Board - Except for NA (B404)

Model: Kir-C Fax Option	Date: 28-Aug-01	No.: MB404002
-------------------------	-----------------	---------------

Modified Article: Right Flat Cable Plate		Prepared by: K. Miura	
From: Technical Services Dept., GTS Division			
Reason for Modification:	<input type="checkbox"/> Parts catalog correction	<input type="checkbox"/> Vendor change	<input type="checkbox"/> To meet standards ()
	<input checked="" type="checkbox"/> To facilitate assembly	<input type="checkbox"/> To improve reliability	
	<input type="checkbox"/> Part standardization	<input type="checkbox"/> Other	

To facilitate the flat cable, the following part has been changed:

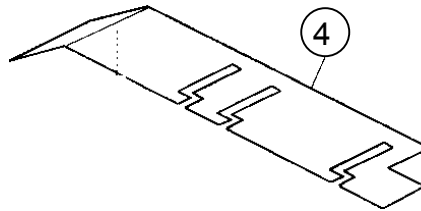
Old part number	New part number	Description	Q'ty	Int	Page	Index	Note
B4045862	B4045875	Right Flat Cable Plate	1	O/O	5	1	



Model: Kir-C Fax Option		Date: 28-Aug-01	No.: MB404003
Modified Article: Flat Cable Bracket		Prepared by: K. Miura	
From: Technical Services Dept., GTS Division			
Reason for Modification:	<input type="checkbox"/> Parts catalog correction	<input type="checkbox"/> Vendor change	<input type="checkbox"/> To meet standards ()
	<input type="checkbox"/> To facilitate assembly	<input checked="" type="checkbox"/> To improve reliability	
	<input type="checkbox"/> Part standardization	<input type="checkbox"/> Other	

To prevent incorrect routing of the flat cable, the following part has been changed:

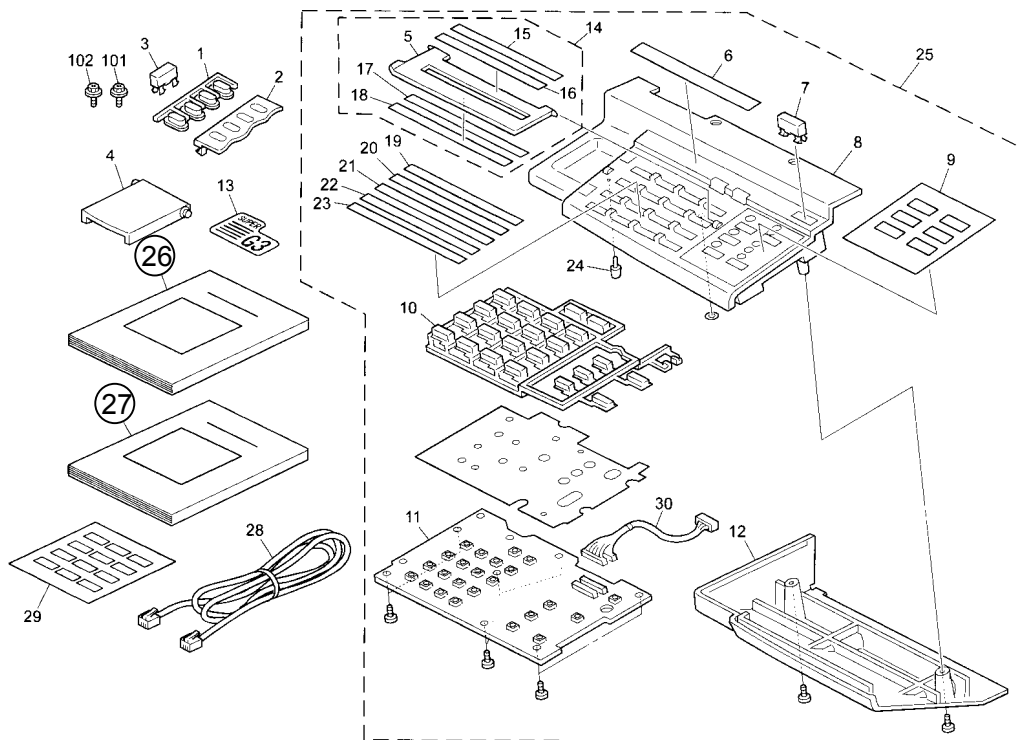
Old part number	New part number	Description	Q'ty	Int	Page	Index	Note
B4045874	B4045876	Flat Cable Bracket	1	X/O	5	4	



Model: Kir-C Fax Option		Date: 1-Feb-02	No.: MB404004
Modified Article: Operating Instructions		Prepared by: K.Miura	
From: Technical Services Dept., GTS Division			
Reason for Modification:	<input type="checkbox"/> Parts catalog correction	<input type="checkbox"/> Vendor change	<input type="checkbox"/> To meet standards ()
	<input type="checkbox"/> To facilitate assembly	<input type="checkbox"/> To improve reliability	
	<input type="checkbox"/> Part standardization	<input checked="" type="checkbox"/> Other	

To include the duplex machine information into the Operating Instructions, the following parts have been changed:

Old part number	New part number	Description	Q'ty	Int	Page	Index	Note
B4048607	B4048611	Operation Manual (NA)	1	X/O	3	26	
B4048657	B4048660	Operating Instructions Advanced (NA)	1	X/O	3	27	



Reissued: 9-Jan-03

Model: Kir-C Fax Option	Date: 4-Jun-02	No.: MB404005a
-------------------------	----------------	----------------

MB Correction

The items in bold italics have been corrected or added.

Modified Article: Parts Catalog Corrections		Prepared by: M.Mano	
From: Technical Services Sec. Service Planning Dept.			
Reason for Modification:	<input checked="" type="checkbox"/> Parts catalog correction	<input type="checkbox"/> Vendor change	<input type="checkbox"/> To meet standards ()
	<input type="checkbox"/> To facilitate assembly	<input type="checkbox"/> To improve reliability	
	<input type="checkbox"/> Part standardization	<input type="checkbox"/> Other	

The Quick Dial Plate has been changed to a Quick Dial Plate Assembly (individual plate is no longer available from SPC).

Model K-C1 Fax Option (B404)

Old part number	New part number	Description	Q'ty	Int	Page	Index	Note
<i>B4041468</i>		<i>Quick Dial Plate</i>	<i>1→0</i>	-	3	5	
	→B4041458	Quick Dial Plate Ass'y	1	-	3	14	

Model: Kir-C Fax Option		Date: 3-Oct-02	No.: MB404006
Modified Article: Parts Catalog Corrections		Prepared by: M.Mano	
From: Technical Services sec. Service Planning Dept.			
Reason for Modification:	<input checked="" type="checkbox"/> Parts catalog correction	<input type="checkbox"/> Vendor change	<input type="checkbox"/> To meet standards ()
	<input type="checkbox"/> To facilitate assembly	<input type="checkbox"/> To improve reliability	
	<input type="checkbox"/> Part standardization	<input type="checkbox"/> Other	

The NCU Board has been modified to conform with new revisions made to Taiwanese Fax communication standards.

Model K-C1 Fax Option (B404) for Taiwan model

Old part number	New part number	Description	Q'ty	Int	Page	Index	Note
B4045184	B4045188	NCU Board	1	X/O	5	7	

Note:

1. If the main firmware is updated to ver.07.02.00, it is not necessary to replace the NCU board.
2. However if installing the new NCU Board above, it is also necessary to update to main firmware ver.07.02.00 at the same time (see RTB #RB040006d).

Cut-in Serial Numbers:

From September '02: H6926902552 ~

Model: Kir-C Fax Option		Date: 9-Oct-02	No.: MB404007
Modified Article: Parts Catalog Corrections		Prepared by: M. Mano	
From: Technical Services sec. Service Planning Dept.			
Reason for Modification:	<input checked="" type="checkbox"/> Parts catalog correction	<input type="checkbox"/> Vendor change	<input type="checkbox"/> To meet standards ()
	<input type="checkbox"/> To facilitate assembly	<input type="checkbox"/> To improve reliability	
	<input type="checkbox"/> Part standardization	<input type="checkbox"/> Other	

Please add the following to your Parts Catalogs, which was previously missing. This part is for the Kir-C Fax Option, Taiwan model.

Model Kir-C1 Fax Option for Taiwan model (B404-05)

Old part number	New part number	Description	Q'ty	Int	Page	Index	Note
-	B4041489	Function Sheet	1	-	3	9	